

SAPA FACADE COMPLEMENTS

SEVERAL OPTIONS FOR FUNCTION AND DESIGN



sapa:

By  Hydro

Interior transoms/mullions

Transoms/mullions in rectangular, T-shaped or I-shaped versions. It is also possible to combine the different shapes to create the desired appearance. Combining profiles of two different depths often makes intersections appear gentler and more attractive.

A wide selection of profiles for interior design.

Design examples



T-shaped transoms/mullions are available in several different depths. Different effects can be achieved by combining different profile depths or through combination with a vertical rectangular profile.
T-shaped profiles are available for 4150, 4150 SX and 4150 SSG.



Rectangular transoms/mullions are available in several different depths. The example shows a combination of rectangular and T-shaped profiles.



Rectangular transoms/mullions are available in several different depths. Horizontal and vertical profiles with different profile depths can be combined to create different effects. Rectangular profiles are available for all systems.

I-shaped transoms/mullions are available in several different depths. Different effects can be achieved by combining different profile depths or through combination with a horizontal rectangular or I-shaped profile.
I-shaped profiles are available for 4150, 4150 SX and 4150 SSG.





Tall rectangular transoms/mullions finished in grey create an exciting interior at Farris Pool, Hotel and Spa in Larvik, Norway.

Glass

Choice of glass. There are several alternatives to suit different comfort and energy requirements. A wide selection of glass types are available for needs such as personal safety, burglar protection, noise reduction, dirt repellence, solar shading and energy saving. It is also possible to screen-print the glass with different patterns or to use coloured glass.

Important points to consider. Glass surfaces that are unprotected and placed so that people can come in contact with them, shall be formed so that the risk of personal injury is limited. The glass surfaces in question shall be dimensioned to withstand the dynamic influence of a person. Applicable standards and demands must be taken into account.

*Design tables can be found at sapabuildingsystem.se
Please contact us if you have any other questions on +46 383 942 00.*

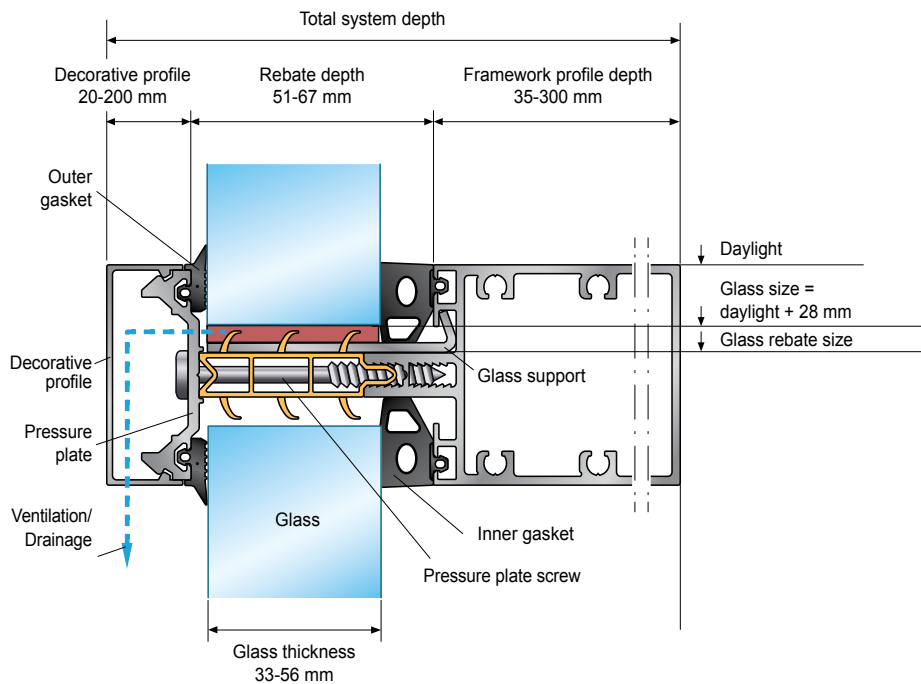
Facade 4150

Rebate depth	Glass thickness
19 mm	4-10 mm
41 mm	23-30 mm
45 mm	27-34 mm
51 mm	33-40 mm
59 mm	41-48 mm

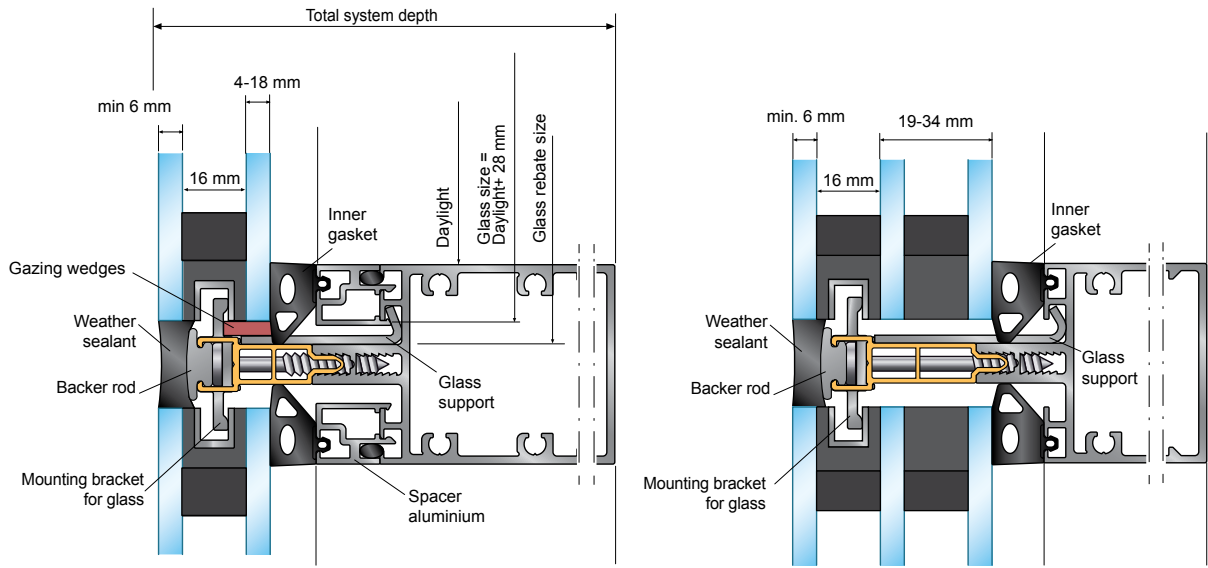
Facade 4150 SX

Rebate depth	Glass thickness
51 mm	33-40 mm
59 mm	41-48 mm
67 mm	49-56 mm

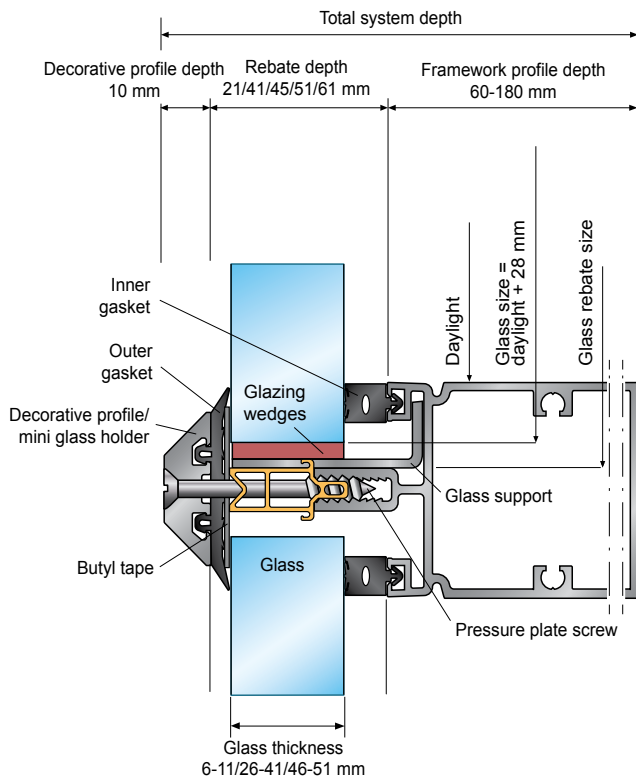
Glass 4150 SX



Glass 4150 SSG



Glass 5050 SG



Facade 5050 SG

Rebate depth	Glass thickness
21 mm	6-11 mm
41 mm	26-31 mm
45 mm	30-35 mm
51 mm	36-41 mm
61 mm	46-51 mm

Infill panels

Choice of infill panel. Certain parts of the elements can or must be filled with infill panels. It is important to consider the backing and surface finish on the panels. If the infill panels are exposed to heavy impact or mechanical loading, you should choose a backing of durable board and an exterior surface of stainless steel or vitreous enamelled steel.

*Design tables can be found at sapabuildingsystem.se
Please contact us if you have any other questions on +46 383 942 00.*

Infill panels for Sapa Facade system 4150/SX/SSG

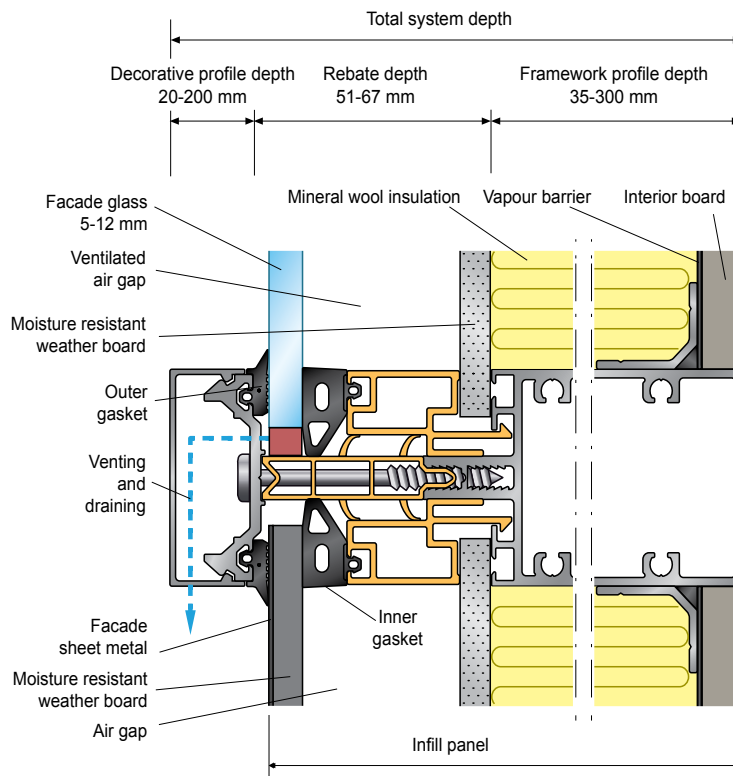
Infill panel, U_p W/m ² K (centre point).	0.65	0.48	0.38	0.31	0.27	0.21
Profile depth	60	80	100	120	140	180

Infill vacuum panel for

Sapa Facade system 4150/SX/SSG/5050 SG

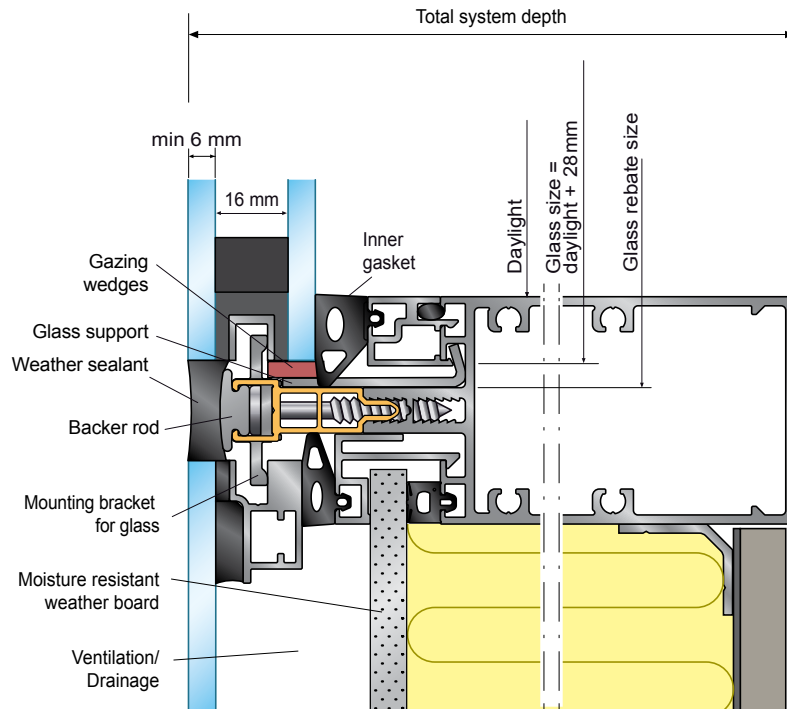
Infill panel, U_p W/m ² K (centre point).	0.29	0.28	0.18	0.16
Spacer	16	18	24	28
Panel thickness	26-28	26-28	31-35	31-35

Infill panel 4150 SX





Infill panel 4150 SSG



Openable units in facades

We have developed doors with a variety of designs and practical solutions for comfort ventilation, smoke ventilation and evacuation. Windows can be fitted with mechanical or motorised closing mechanisms.

Our building system for doors has a wide range of applications plus the possibility to add various functions. Our door solutions are suitable for offices, hospitals, schools and universities, industry, administration premises, sports halls, exhibition halls, arenas and shopping centres.

Dimensions. We do not have any modular size restrictions.

Tailor to your requirements regarding protection and safety, fire and evacuation, free opening dimensions, stability, fittings, infill panels, glass, etc.

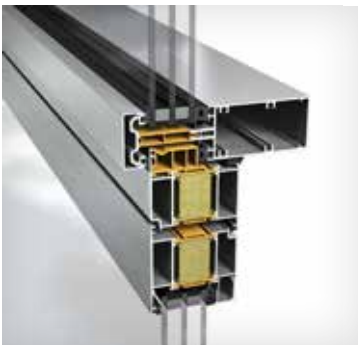
Choose the appearance by selecting profiles, finish, fittings, proportions and materials, including glass or infill panels, etc.

Adapt and shape to suit your needs.
No modular size restrictions.

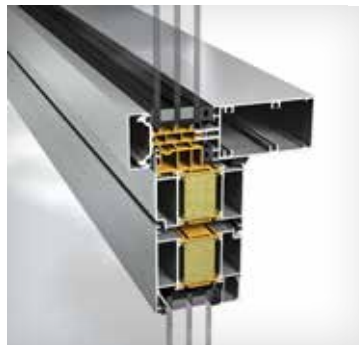


	Doors				Windows	
Facade	2050 Door	2060 Door	2086/2086 SX Door	2050/2074 Sliding door	1086/1086 SX inward-opening	4074 outward-opening
4150	▪	▪	▪	▪	▪	▪
4150 SX			▪	▪	▪	▪
4150 SSG			▪	▪		▪
5050 SG			▪	▪		▪

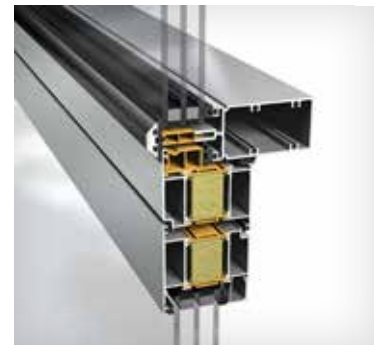
Doors



4150 with door 2086 SX.

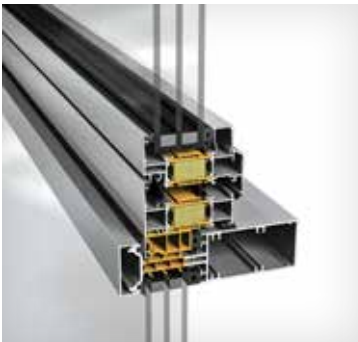


4150 SX with door 2086 SX.



5050 SG with door 2086 SX.

Windows



4150 SX with inward-opening window 1086 SX.



4150 with outward-opening window 1086.



4150 with inward-opening block window 1086.



4150 with outward-opening facade window 4074.



5050 SG with outward-opening facade window 4074.



4150 SSG with outward-opening facade window 4074.

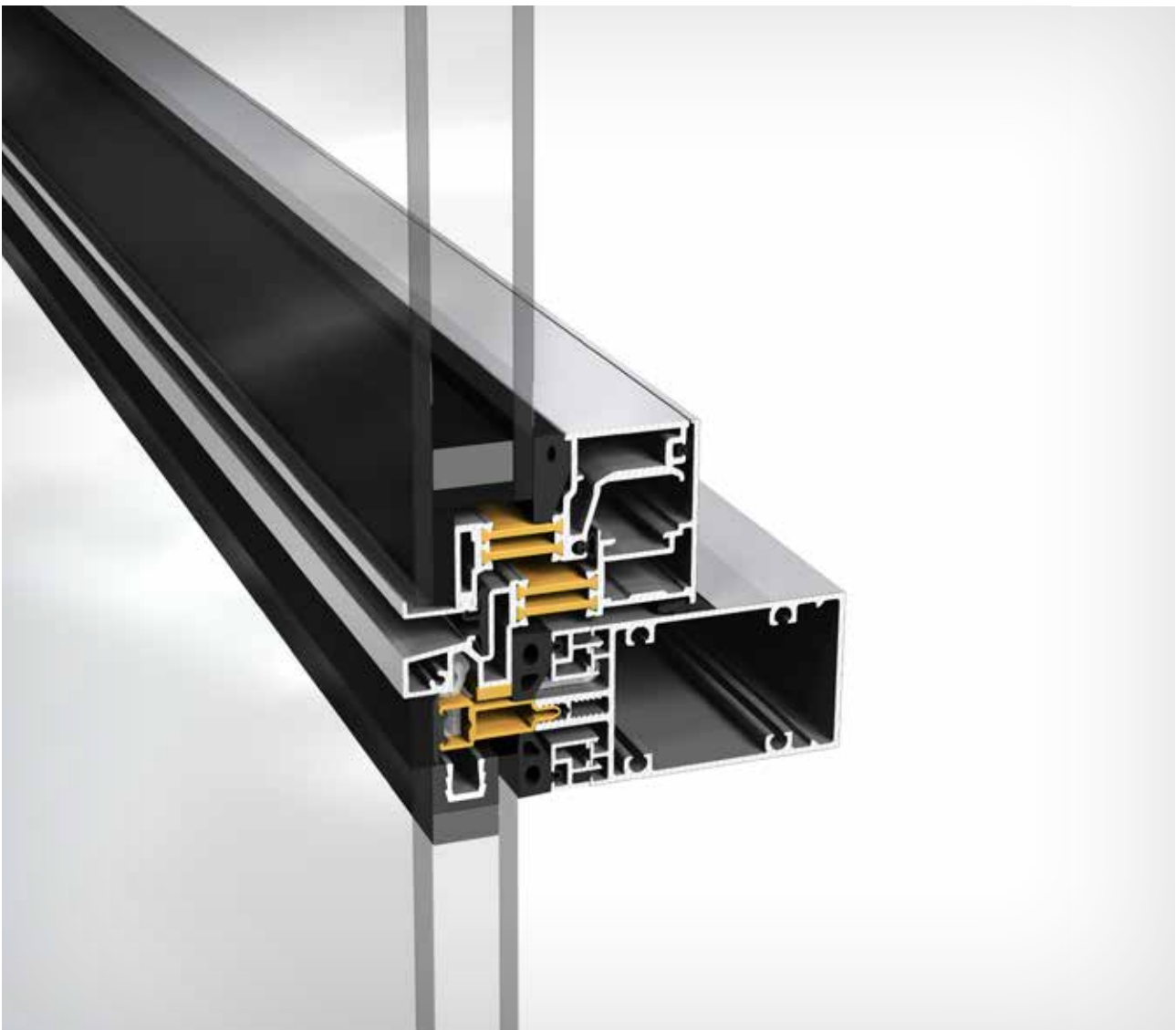
Sapa facade window 4074

Window 4074 is designed for integration in facade system. The outward-opening window can be installed in sliding horizontal or sliding vertical configuration.

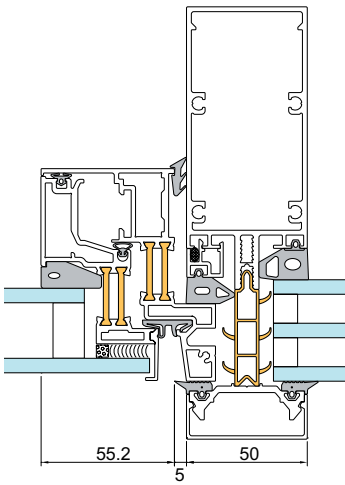
The outer glass in the glazing unit sits outside and is bonded to the transom/mullion. The glass is secured to the transom/mullion by a security profile that overlaps the glass by about 5 mm all round. The security profile is black anodised as standard to match the dark area of the glass.

The window opens to an angle of around 30 degrees.

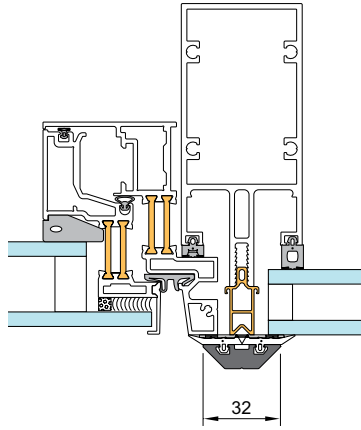
Windows with concealed sash, designed for integration in facade system.



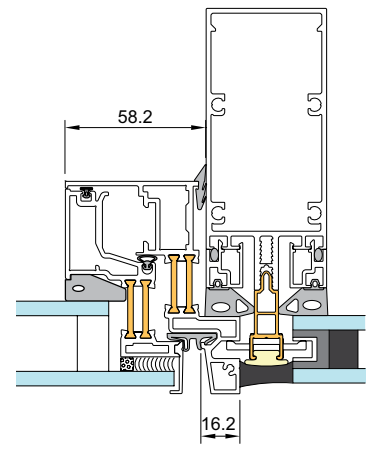
4150 SSG with outward-opening facade window 4074. Security profile is shown in clear anodised finish, black is standard.



Facade window 4074 in facade 4150 SX



Facade window 4074 in facade 5050 SG



Facade window 4074 in facade 4150 SSG



Facade window 4074, open position.



Facade window 4074, closed position.

sapa:

By  **Hydro**

Hydro Building Systems, region North

Sweden

SE-574 81 Vetlanda
T +46 (0)383 942 00
E sapa.se@hydro.com

Norway

NO-2027 Kjeller
T +47 63 89 21 00
E sapa.no@hydro.com

Denmark

DK-8240 Risskov
T +45 8616 0019
E sapa.dk@hydro.com

Finland

FI-02180 Espoo
T +358 (0)9 867 82 80
E system.fi@hydro.com

Lithuania/Estonia/Latvia

LT-02244 Vilnius
T +370 (0)5 210 25 87
E sapa.lt@hydro.com

Poland

92-620 Łódź, Polska
T +48 (0)42 683 63 73
E sapa.pl@hydro.com

sapabuildingsystem.com