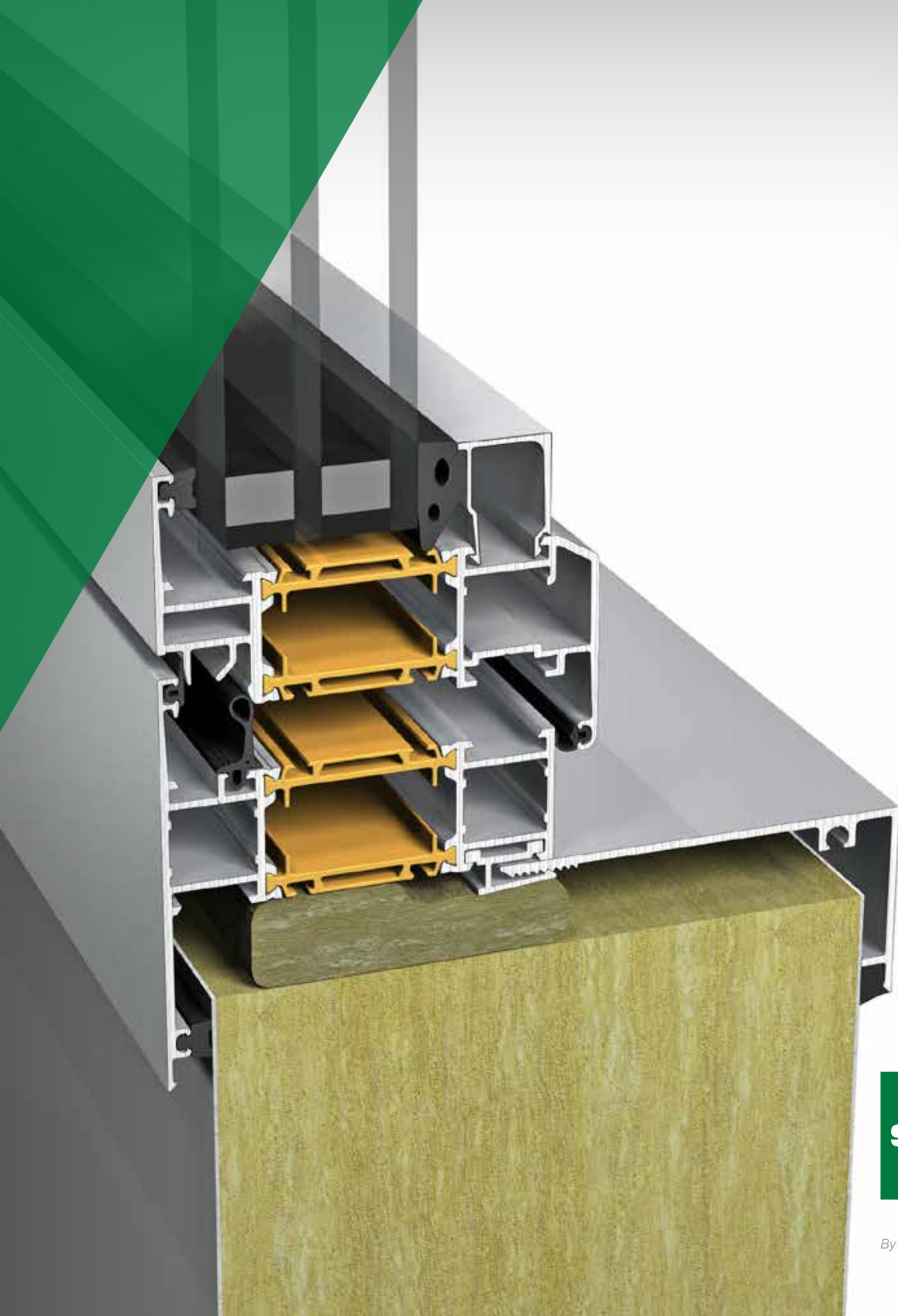


SAPA WINDOWS FOR PANEL WALL

SAPA WINDOW AND SAPA DOOR FOR SANDWICH PANEL WALL



sapa:

By  Hydro

Sapa Window and Door for sandwich panels

Sapa Window 1086 has a strong design based on 86 mm deep profiles. It is insulated with 42 mm glass-fibre-reinforced polyamide strips and meets the highest classes of airtightness and watertightness, and has a very low U-value.

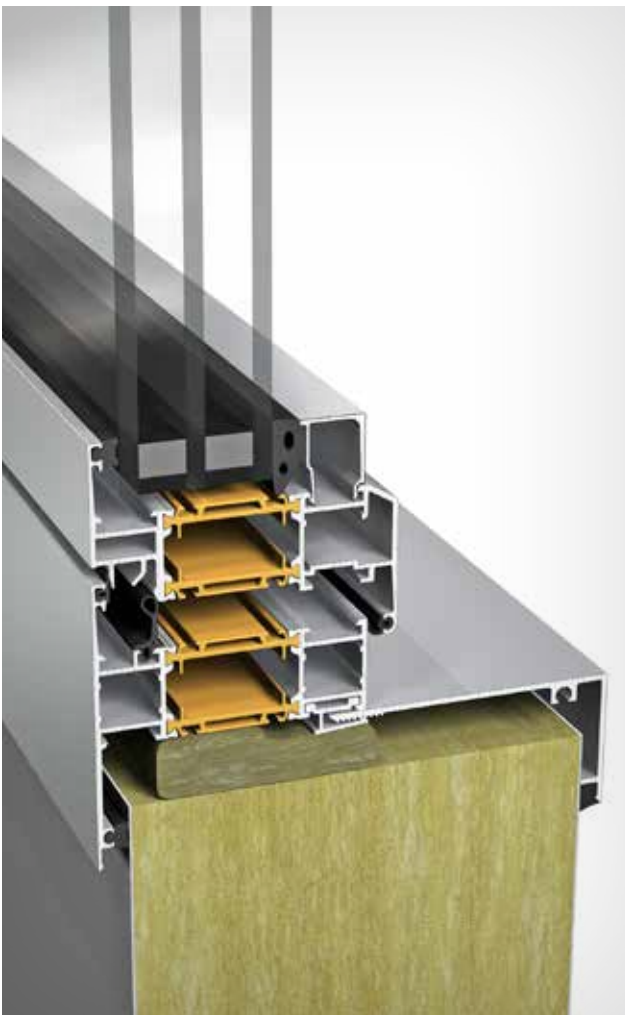
1086 for sandwich panel wall has a frame designed for efficient installation in sandwich panel wall structures made from sheet metal and insulation. The frame has the rebate towards the outside of the wall and is secured with concealed fittings from the inside. The inside is finished with special aluminium profiles. The systems makes it easy to combine fixed and opening windows, and large glazed elements with top lights.

Sapa Door in sandwich panel wall

Even Sapa doors can be installed in sandwich panel walls. Doors 2086 can be made in version Standard, SX, Plus or Extreme depending on the desired energy and weather performance levels.

Designed for efficient installation in sandwich panel wall structures.

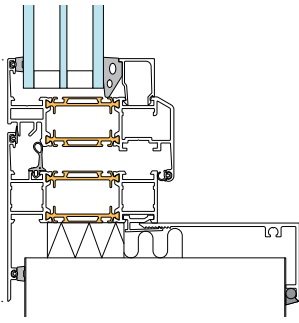
Combines minimal maintenance with good indoor comfort and long life.



Sapa Window 1086 inward-opening, for sandwich panel wall



Sapa Door 2086 with custom profile for sandwich panel wall



**1086 inward-opening,
for sandwich panel wall**

Side-hung

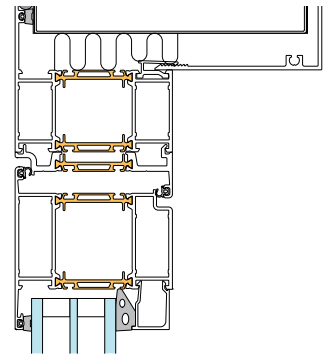
Bottom-hung

Top-hung

Tilt and turn

3086 for sandwich panel wall

Fixed window/element



**Door 2086 for
sandwich panel wall**

Standard

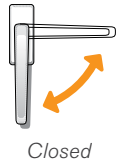
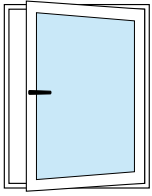
Plus

Extreme



Sapa Window	Window 1086 panel wall, inward opening	French window 1086 panel wall, inw. opening
Glass thickness	2- or 3-glass: 20-64 mm	2- or 3-glass: 20-64 mm
Profile depth	86 mm	
Water tightness, class	9A according to EN 12208	
Air permeability, class	4 according to EN 12207	
Burglar resistant, class	RC2 according to EN 1627	RC2 according to EN 1627
Frame outer dimensions	For frame outer dimensions for different variants, see website	
Sash weight, max.	130 kg	130 kg
Inward-opening fitting	Side-hung, bottom-hung, top-hung or tilt-and-turn	Side-hung
Versions	Single window, meeting stile window. Element combined with opening and fixed windows.	Single door, with or without top light and side light. <i>Double door.</i>

Sapa Door Systems	2086 and 2086 SX		
System specification	Standard	Plus	Extreme
Single door	▪	▪	▪
Double doors	▪	▪	
Lock type	Single-point	Single-point	Three-point
Door sill options	6	3	2
Universal hinge	▪	▪	▪
Butt hinge	▪		
Concealed hinge	▪	▪	▪
Door leaf size max., mm	1350x3000	1350x2500	1350x2500
Glass thickness max., mm	56 (64)	56 (64)	56 (64)
Weight max., kg	200	200	200
Air permeability, class according to EN 12207	n/a	2	4
Watertightness, class according to EN 12208	n/a	4A	9A
Wind load, class according to EN 12210	n/a	C2	C3
Repeated opening/closing, class according to EN 12400	6	6	6
Design choice	Narrow or modular profiles.		
Child safety, anti-finger-trap device	Rubber profile/membrane	Membrane	Membrane
Maintenance	Replaceable rebate section on frame side		



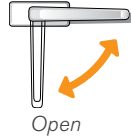
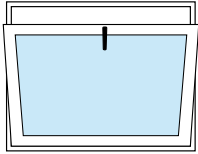
Open

Closed

Tilt-and-turn inward-opening window*

Closing fitting	Siegenia ALU 5200-D
Handle	16126 16131 Lockable Sapa 16439 Sapa 16439 with child safety latch 16441 Sapa 16438 Lockable

*Concealed hinges are available for 1086/1086 SX



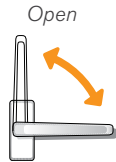
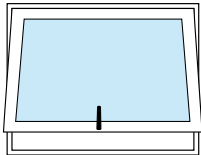
Closed

Open

Tilt-and-turn inward-opening window*

Closing fitting	Siegenia LM -K
Handle	16126 16131 Lockable Sapa 16439 Sapa 16439 with child safety latch 16441 Sapa 16438 Lockable

*Concealed hinges are available for 1086/1086 SX

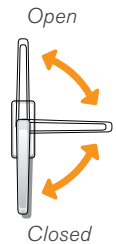
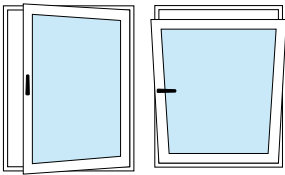


Open

Closed

Tilt-and-turn inward-opening window

Closing fitting	Siegenia
Handle	16126 16131 Lockable Sapa 16439 Sapa 16439 with child safety latch 16441 Sapa 16438 Lockable



Open

Ventilation

Closed

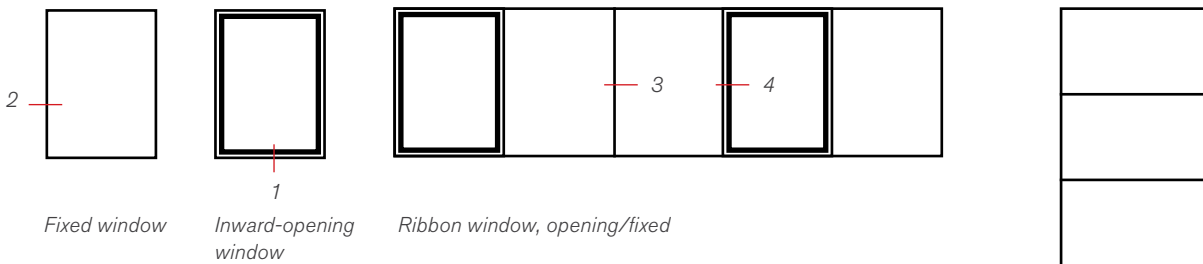
Tilt-and-turn inward-opening window*

Closing fitting	Siegenia ALU 5200-TBT
Handle	16126 16131 Lockable Sapa 16439 Sapa 16439 with child safety latch 16441 Sapa 16438 Lockable

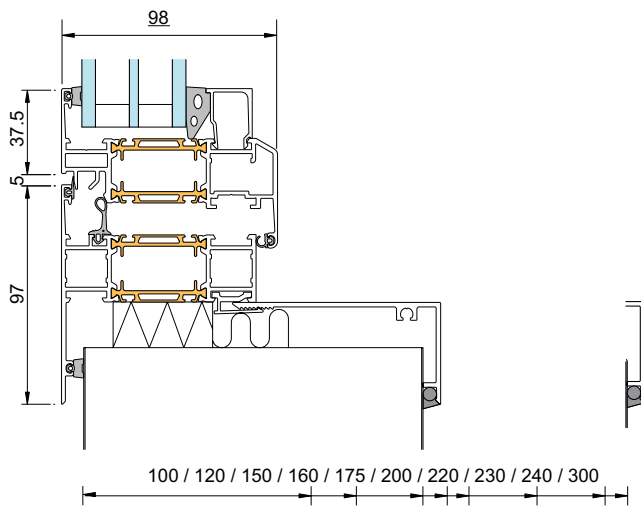
*Concealed hinges are available for 1086/1086 SX



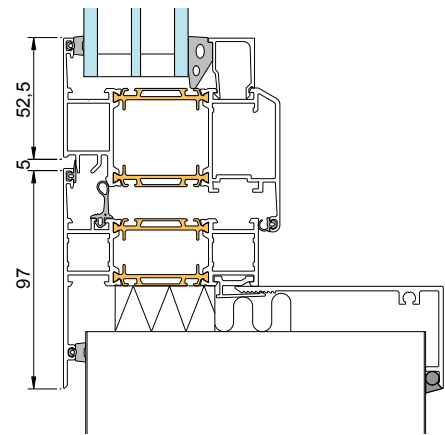
Sapa 1086 window in sandwich panel wall, inward-opening, sash/frame combinations



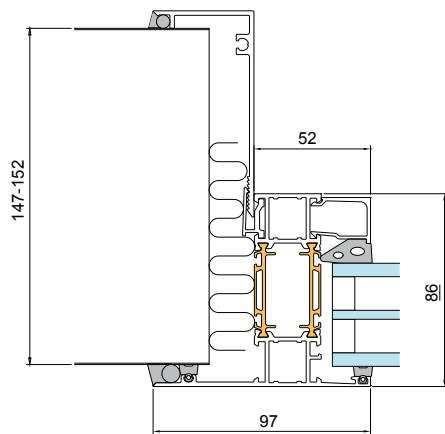
Fittings for inward-opening, side-hung, top-hung, bottom-hung and tilt-and-turn windows. Windows and ribbon windows can be fixed or opening, or a combination of the two.



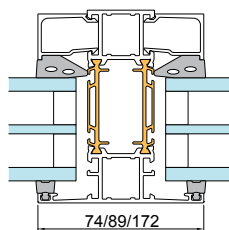
1 - Frame with interior cover profile, in sandwich panel wall



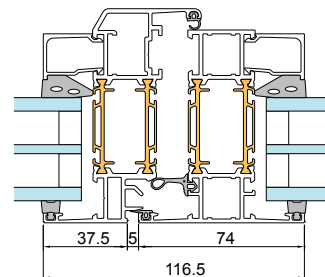
1 - Frame with sash profile or with sash profile for Fix fittings, available in several versions



2 - Frame, side with interior cover profile, in sandwich panel wall

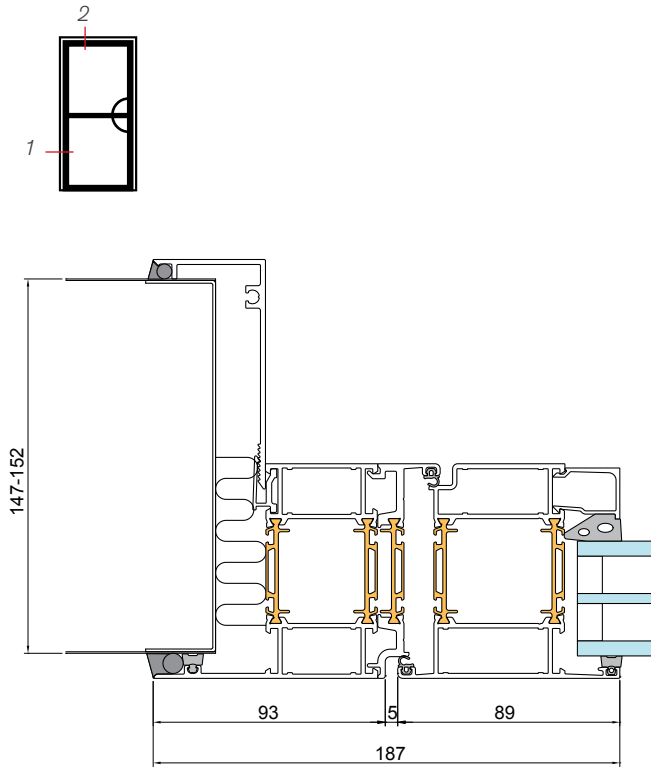


3 - Glazing bar profile

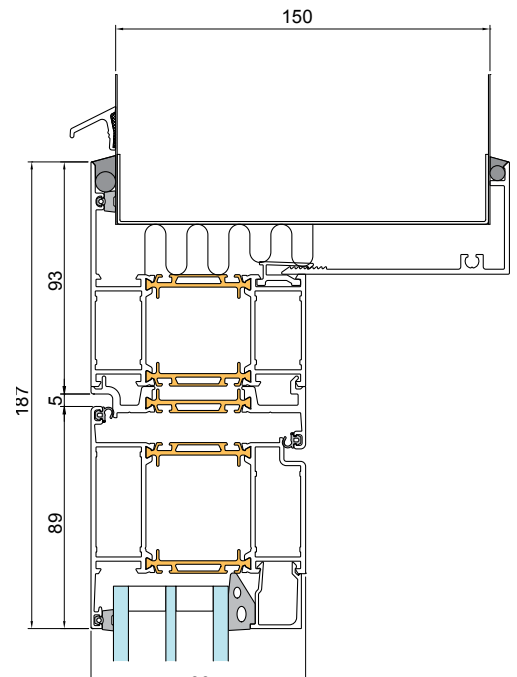


4 - Glazing bar with sash profile

Sapa Door 2086 with custom profile for sandwich panel wall



1 - Door with narrow profile



2 - Top edge of door with frame



sapa:

By  **Hydro**

Hydro Building Systems, region North

Sweden

SE-574 81 Vetlanda
T +46 (0)383 942 00
E sapa.se@hydro.com

Norway

NO-2027 Kjeller
T +47 63 89 21 00
E sapa.no@hydro.com

Denmark

DK-8240 Risskov
T +45 8616 0019
E sapa.dk@hydro.com

Finland

FI-02180 Espoo
T +358 (0)9 867 82 80
E system.fi@hydro.com

Lithuania/Estonia/Latvia

LT-02244 Vilnius
T +370 (0)5 210 25 87
E sapa.lt@hydro.com

Poland

92-620 Łódź, Polska
T +48 (0)42 683 63 73
E sapa.pl@hydro.com

sapabuildingsystem.com