

SAPA SLIDING FRENCH WINDOW

1086 INSULATED AND 1086 SX HIGH-INSULATED

sapa:

By  Hydro

Sapa Sliding French Window 1086/1086 SX

Sliding French windows permit large open spaces and slide easily on double wheels and aluminium tracks. Fully welded centre seals on all sides provide excellent airtightness and watertightness. A raised threshold provides better protection against leaks in exposed positions.

The sliding French window runs on a concealed track and opens completely to the side, parallel with the fixed window section. In the closed position, the door leaf is flush with the fixed window section. The door leaf can be tilted inwards to provide ventilation.

The sliding door is fitted with an espagnolette lock. The locking points are located to suit the width and height. Can be fitted with a cylinder lock for locking from the inside, or both the inside and outside.

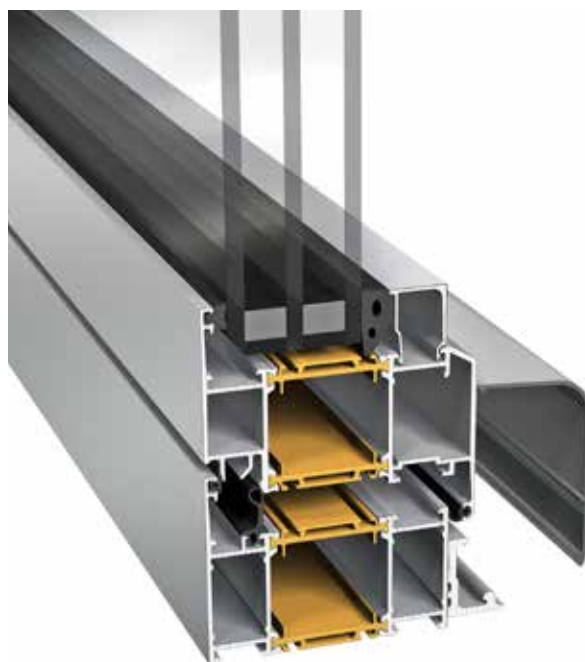
Sapa window system 1086 also includes windows, fixed glazed elements, French windows and folding French windows. These are all based on the same basic design and when combined create a harmonious look. Glazing bars can be fitted to heighten awareness. The design provides a number of functions and is a secure and well-proven solution. The sliding French window is available in two insulation grades, 1086 insulated and 1086 SX high-insulated.

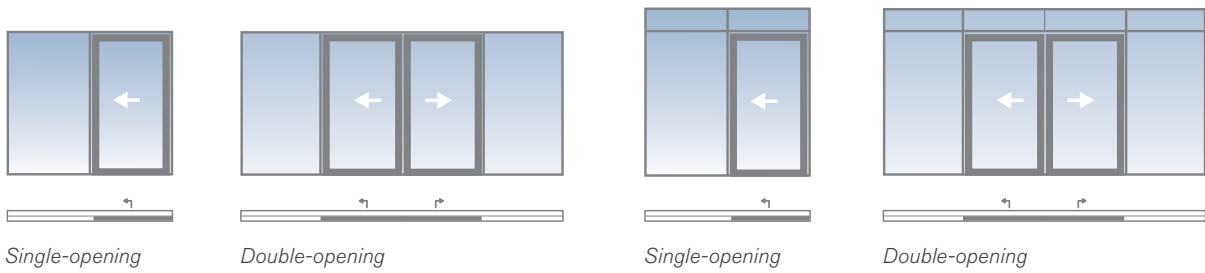
Sliding french door with very low U-value as well as high air- and watertightness.

The door leaf can be tilted inwards to provide ventilation.

Sapa 1086 /1086 SX Sliding French Window

Glass thickness	Double- or triple-glazed, 20-64 mm
Profile depth door leaf/frame	96/86 mm
Door leaf max. dimensions	W 1650 mm. H 2400 mm.
Door leaf max. weight	130 kg
Variants	Single- or double-opening
Fitting type	Tilt-and-slide, inward-opening with lockable espagnolette. Handle lockable from both inside and outside. With ventilation position.
Watertightness, class	9A according to EN 12208
Airtightness, class	4 according to EN 12207

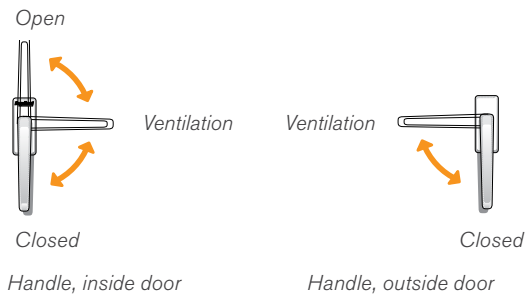




Single-opening
 Clear dimension with handle inside = $F.O.D./2 - 96 \text{ mm}$
 Clear dimension with handle inside and outside = $F.O.D./2 - 145 \text{ mm}$

Double-opening
 Clear dimension with handle inside = $F.O.D./2 - 124 \text{ mm}$
 Clear dimension with handle inside and outside = $F.O.D./2 - 227 \text{ mm}$

Fitting features



Handle, inside door

Handle, outside door

Handle

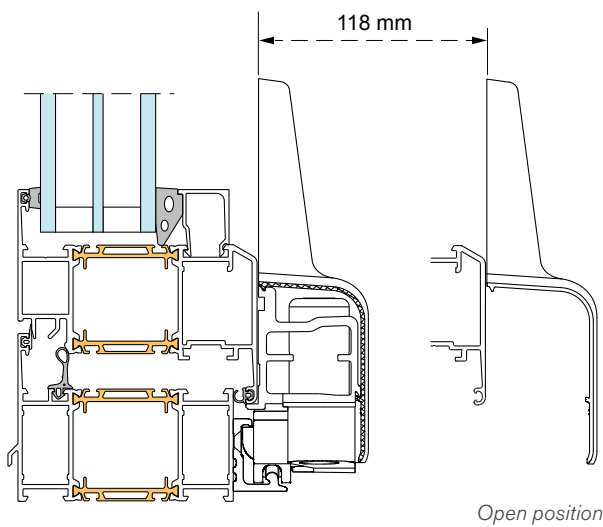


Handle, inside
 Art. no. 14572 left/right
 Handle, outside
 Art. no. 14568 left
 Art. no. 14569 right



Cylinder lock plate
 Art. no. 14573
 Lock outside and inside

Profile sections



Tilt-and-slide French window with fittings

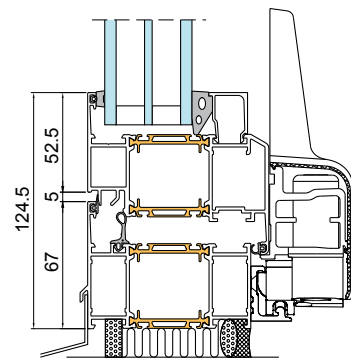
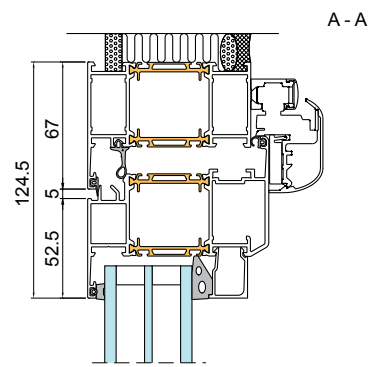
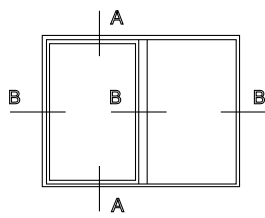




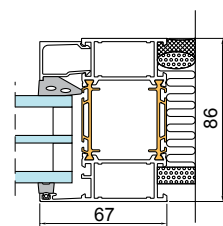
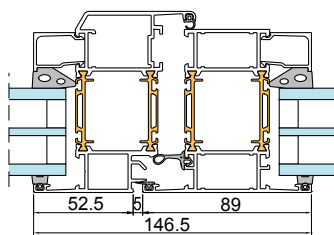
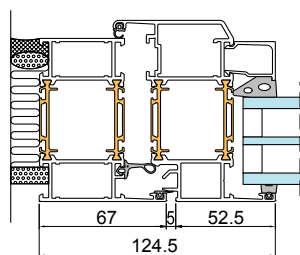
Sapa Sliding French Window 1086			Sapa Sliding French Window 1086 SX		
Glass, U_g	0,6 W/m ² K	0,9 W/m ² K	0,5 W/m ² K	0,6 W/m ² K	0,9 W/m ² K
W x H, mm	U_w W/m ² K	U_w W/m ² K	U_w W/m ² K	U_w W/m ² K	U_w W/m ² K
2000 x 2300	1,0	1,3	0,81	0,89	1,1
2500 x 2300	0,97	1,2	0,77	0,85	1,1
3000 x 2300	0,94	1,2	0,74	0,83	1,1

* Theoretical U-value calculation with allowance for glass, profile proportion and linear factors for edge zone effects according to EN 10077-1/2.

Profile sections



B - B





sapa:

By  **Hydro**

Hydro Building Systems, region North

Sweden

SE-574 81 Vetlanda
T +46 (0)383 942 00
E sapa.se@hydro.com

Norway

NO-2027 Kjeller
T +47 63 89 21 00
E sapa.no@hydro.com

Denmark

DK-8240 Risskov
T +45 8616 0019
E sapa.dk@hydro.com

Finland

FI-02180 Espoo
T +358 (0)9 867 82 80
E system.fi@hydro.com

Lithuania/Estonia/Latvia

LT-02244 Vilnius
T +370 (0)5 210 25 87
E sapa.lt@hydro.com

Poland

92-620 Łódź, Polska
T +48 (0)42 683 63 73
E sapa.pl@hydro.com

sapabuildingsystem.com