

SAPA WINDOW 1086 VINTAGE

RETRO DESIGN MEETS MODERN PERFORMANCE



sapa:

By  Hydro

Sapa Window 1086 Vintage

A slimmer rustic-style window that is ideal for renovating old industrial buildings where the aim is to preserve the original style but gain all the benefits of a highly insulated, maintenance-free modern construction.



The retro-design profiles create an interesting shadow gap and break up the shape in a way that is reminiscent of classic industrial windows. In Vintage block windows, the character of the glazing helps to create the same narrow-framed look in both fixed and opening sections.

Retro design meets modern performance

Sapa Window 1086 Vintage is a highly insulated aluminium window in a vintage style that is ideal for older buildings and in modern settings where turn-of-the-century architecture sets the tone. Despite its retro look, the window system meets modern standards of quality and thermal insulation. The narrow frame and sash create an elegant look and let in as much light as possible.

Sapa Window 1086 Vintage is based on the popular Thermo 86 design with 86 mm deep aluminium profiles. It is insulated with 42 mm glass-fibre-reinforced polyamide strips and meets the highest classes of airtightness and watertightness, with a very low U-value.

This rustic-style aluminium window combines good durability, minimal maintenance and long life.

Available in fixed or inward-opening configurations with the option of concealed hinges.

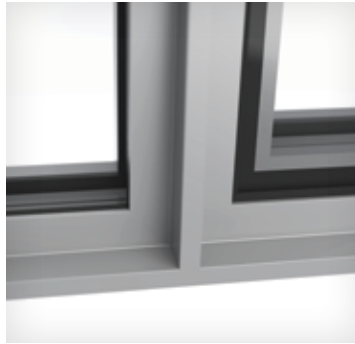
Also available as a block window with stepped glazing that conceals the frames from the outside, creating a larger exterior glazed area.

Windows can be fitted with glazing bars, and can be formed into circular or semi-circular shapes.

Design that adds character



The visual separation of the frame and sash gives this window a distinctive appearance.



Shadows and highlights in the frame profiles add variety and detail to the exterior.



The result is a minimalist look combined with high-performance construction.



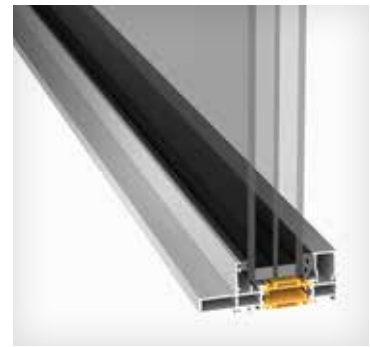
1086 Vintage
inward-opening

Side-hung
Bottom-hung
Top-hung
Tilt-and-turn



1086 Vintage block window
inward-opening

Side-hung
Bottom-hung
Top-hung
Tilt-and-turn



1086 Vintage
fixed window/glazing element

	Vintage window inward-opening	
Sapa Vintage window	1086	1086 block window
Glazing thickness	20-64 mm	22-49 mm
Profile depth	86 mm	
Frame outer dimensions	Frame outer dimensions for different versions, see website	
Watertightness	Class 9A according to EN 12208	
Air permeability	Class 4 according to EN 12207	
Burglar-resistant	Class RC2 according to EN 1627	-
Max. sash weight	30/40/50/100/130 kg	50/100 kg
Hinge type	Side-hung, top-hung, bottom-hung or tilt-and-turn	
Specifications	Single window / glazing unit combined with opening and fixed window.	Single window / glazing unit combined with opening and fixed window.

Inspiring choices

Sapa offers a wide range of finishing options. Our aluminium profiles for facades, roof glazing, windows, doors and solar shading can be anodized or painted. There are many colour options for anodizing and almost unlimited choice in paint finishes.





Sapa 1086 Vintage fixed window.

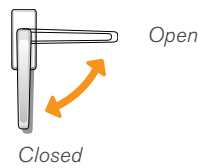
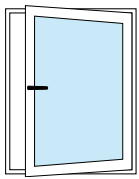


Sapa 1086 Vintage inward opening window.



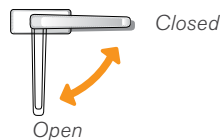
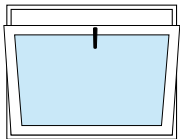
Sapa 1086 Vintage block-window.

Hinge guide for windows



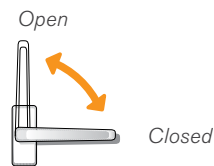
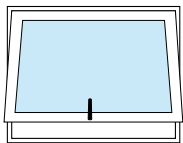
Side-hung inward-opening window

Closing hardware	Notter AL 18 / concealed hinges Notter AL 18 VDL
Handle	x6661259 x6661261 Lockable Sapa S 16439 * Sapa S 16439 with child safety lock S 16441* Sapa S 16438 Lockable *



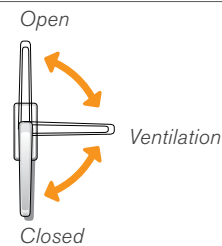
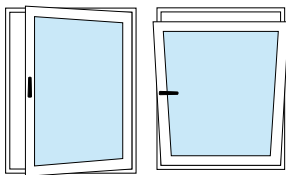
Bottom-hung inward-opening window

Closing hardware	Notter AL 18 / concealed hinges Notter AL 18 VDL
Handle	x6661259 x6661261 Lockable Sapa S 16439 * Sapa S 16439 with child safety lock S 16441* Sapa S 16438 Lockable *



Top-hung inward-opening window

Closing hardware	Notter AL 18 / concealed hinges Notter AL 18 VDL
Handle	x6661259 x6661261 Lockable Sapa S 16439 * Sapa S 16439 with child safety lock S 16441* Sapa S 16438 Lockable *



Tilt-and-turn inward-opening window

Closing hardware	Notter AL 18 / concealed hinges Notter AL 18 VDL
Handle	x6661259 x6661261 Lockable Sapa S 16439 * Sapa S 16439 with child safety lock S 16441* Sapa S 16438 Lockable *

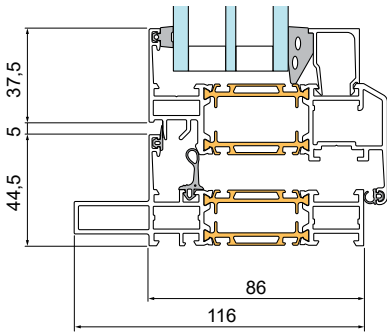
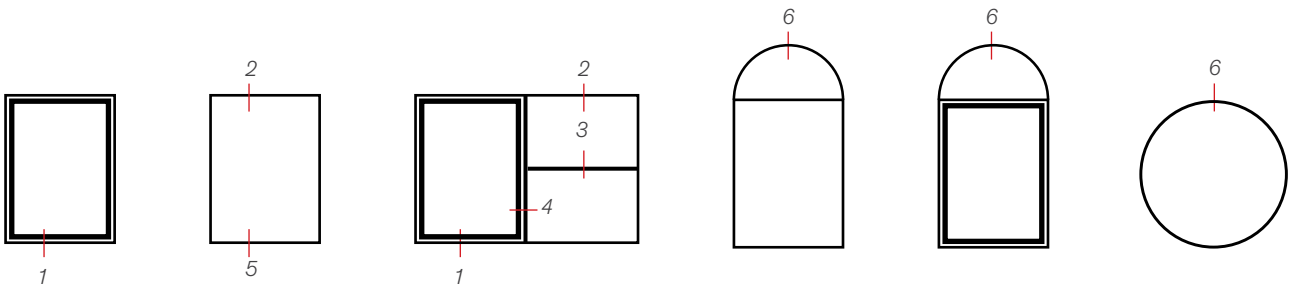
* not 1086 Vintage block window

U value, example

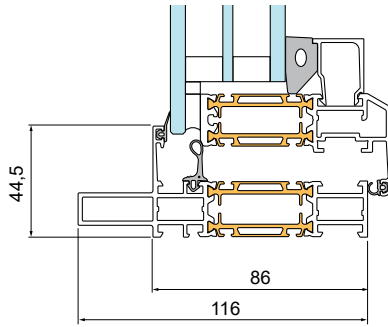
U value for glazing (U_g) in W/m ² K	0,50	0,60	0,70	0,80	0,90	1,0
	Window 1230 x 1480 mm, U value in i W/m²K					
1086 fixed	0,90	0,93	1,0	1,1	1,2	1,3
1086 inward-opening	1,1	1,1	1,2	1,3	1,4	1,4
1086 block window inward-opening	1,0	1,1	1,2	1,2	1,3	1,4

Conditions: Table gives U value for complete window (UW) in W/m²K (incl. profile / glass / edge zone) according to EN 10077-1. Glazing has a warm-edge spacer. Profile section of opening window (100 mm). Profile section of fixed window, see relevant detail.

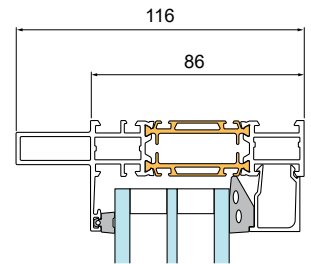
Drawings 1086 Vintage and 1086 Vintage block window



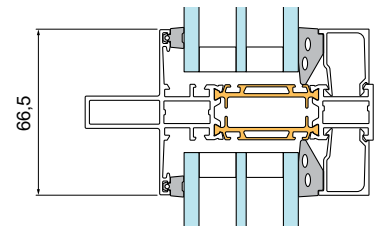
1 - Inward-opening window, frame/sash 1086 Vintage



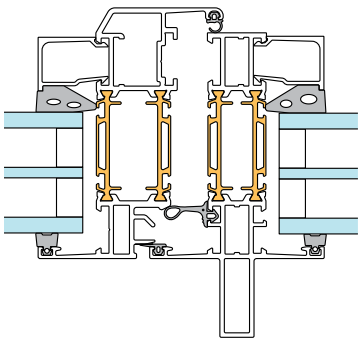
1 - Inward-opening window, frame/sash 1086 Vintage block window



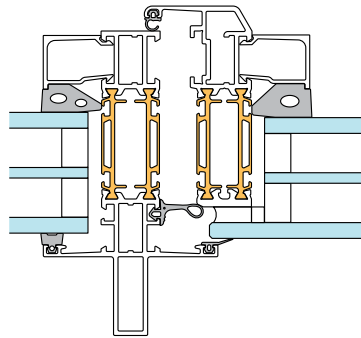
2 - Fixed window, frame 1086 Vintage



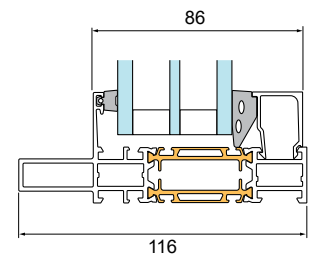
3 - Horizontal glazing bars 1086 Vintage



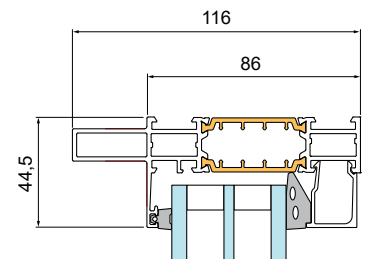
4 - Inward-opening window, frame/sash 1086 Vintage



4 - Inward-opening window, frame/sash 1086 Vintage block window



5 - Fixed window, frame 1086 Vintage



6. Fixed window can be formed into circular or semi-circular shapes.

sapa:

By  **Hydro**

Hydro Building Systems, region North

Sweden

SE-574 81 Vetlanda
T +46 (0)383 942 00
E sapa.se@hydro.com

Norway

NO-2027 Kjeller
T +47 63 89 21 00
E sapa.no@hydro.com

Denmark

DK-8240 Risskov
T +45 (0)86 16 00 19
E sapa.dk@hydro.com

Finland

FI-02180 Espoo
T +358 (0)9 867 82 80
E system.fi@hydro.com

**Lithuania/Estonia/
Latvia**

LT-02244 Vilnius
T +370 (0)5 210 25 87
E sapa.lt@hydro.com

Poland

92-620 Łódź, Polska
T +48 (0)42 683 63 73
E sapa.pl@hydro.com