

FAÇADE

SAPA 5050 SG

FACADE SYSTEM WITH GREAT POSSIBILITIES IN DESIGN

SAPA 5050 SG offers endless opportunities in execution and design. This product offers an exterior design with as small pressure plates as possible. The exterior minimalist pressure plates mimics structural glazing.

Performance

- SAPA 5050 SG as thermal breaks that provides great insulation and firm support for the glass holders.
- Profile depth 25–220 mm.
- Glass thickness 26–51 mm.
- The thermal break is made of pvc.
- Openable units for comfort ventilation and smoke evacuation.

Thermal performance

- $U_{cw} = 1.2 \text{ W/m}^2\text{K}$ with glass $U_g = 1.0 \text{ W/m}^2\text{K}$ and 5% profile share.

SAPA Facade System 5050 SG, double-glazed

| Glass, $U_g \text{ W/m}^2\text{K}$ (centre point). Spacer, warm edge | | | | | | | |
|----------------------------------------------------------------------|-----|-----|-----|-----|-----|-----|-----|
| Profile share | 1.0 | 1.1 | 1.2 | 1.3 | 1.4 | 1.5 | 1.6 |
| 5% | 1.2 | 1.3 | 1.4 | 1.5 | 1.6 | 1.7 | 1.8 |
| 10% | 1.4 | 1.5 | 1.5 | 1.6 | 1.7 | 1.8 | 1.9 |
| 15% | 1.5 | 1.6 | 1.7 | 1.8 | 1.9 | 2.0 | 2.1 |

SAPA Facade System 5050 SG, triple-glazed

| Glass, $U_g \text{ W/m}^2\text{K}$ (centre point). Spacer, warm edge | | | | | | |
|----------------------------------------------------------------------|------|------|------|------|-----|-----|
| Profilandel | 0.5 | 0.6 | 0.7 | 0.8 | 0.9 | 1.0 |
| 5% | 0.65 | 0.74 | 0.84 | 0.93 | 1.0 | 1.1 |
| 10% | 0.80 | 0.89 | 0.98 | 1.1 | 1.2 | 1.2 |
| 15% | 0.95 | 1.0 | 1.1 | 1.2 | 1.3 | 1.4 |

Glass thickness: 26–41, 46–51 mm
 Frame profiles: rectangular, I- and T- profiles
 Profile depth: 25–220 mm
 Air permeability: class 4 according to EN12207
 Water tightness: class 9A according to EN12208

Sealing performance

- Air permeability: class 4 according to EN12207.
- Water tightness: class 9A according to EN12208.

Design

- Minimalist design.
- Used as exterior wall but can also be as inside wall.
- Can be fitted with façade window SAPA 4074, window SAPA 1086 and door SAPA 2086.

Low carbon footprint

- SAPA 5050 SG is made from Hydro CIRCAL, recycled low carbon aluminium. That means it's high quality aluminium made with a minimum of 75% recycled end-of-life aluminium (post-consumer scrap). Hydro CIRCAL has a carbon footprint of 2.3 kg of CO_2 /kg of aluminium on average.

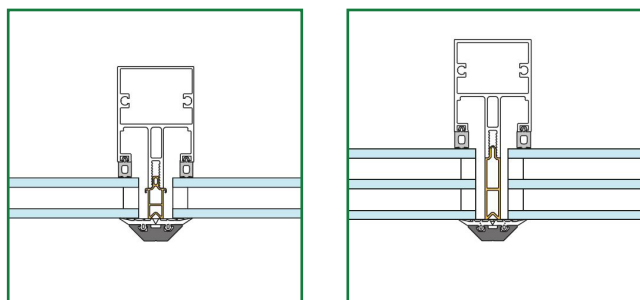


sapa:

By  Hydro



Autopartner in Skövde, Sweden, with Sapa Facade 5050 SG



SG for double-glazed or triple-glazed units

The interior transoms/mullions are rectangular in shape and several designs of decorative profiles are available. The system can easily be combined with opening units.

The same glass holder can be used vertically and horizontally. Easy installation simplifies the building process. Glazing is always carried out from outside of building.

Hydro Building Systems Lithuania UAB
Kirtimų g. 47, Vilnius
LT-02244, Lithuania
www.sapabuildingsystem.com

sapa:

By  Hydro